

# Metro Access Chamber



The Naylor Modular Access Chambers systems are an easy to assemble, eco-friendly system, which can either be supplied flat packed or pre-assembled depending on the customer's preference.

## Metro Access Chambers



Clear Opening (W) mm	Clear Opening (L) mm	Depth (D) mm	Pallet Qty.	Code
300	300	330	18	69224
300	450	330	18	69225
450	450	330	24	69226
450	600	330	18	69227
600	600	330	13	69228

Larger sizes are available upon request.  
Supplied fully assembled or flat packed.

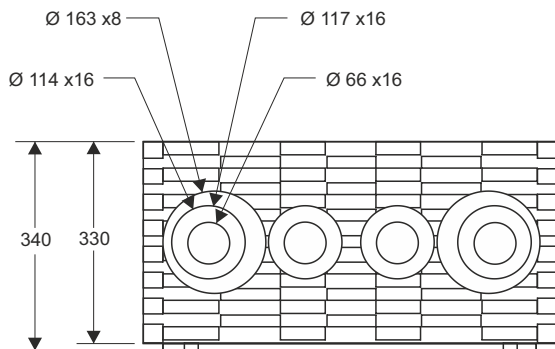


## Features

- Panels quick and easy to assemble
- Interlock design at each corner
- Panels available from 300, 450 & 600mm
- Panels are 330mm deep, with locking features
- Panels are trepanned to take pipe from 63mm to 160mm
- Wide flange design, enables covers to fit onto top chamber ring

## Benefits

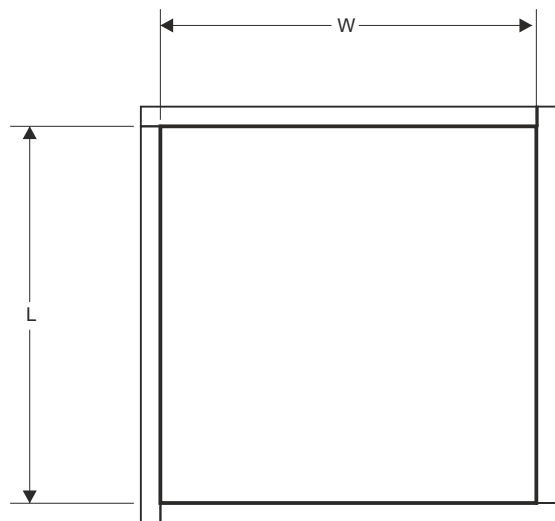
- Manufactured from recycled Polypropylene
- External wall patterned, such that concrete surround will flow into voids
- Composite covers & frames available
- Adaptors available to suit 178mm pipe
- Chamber system used by many Local Authorities



Please refer to Technical Document for Installation Details

## Access Plate Packaging Details

Plate Size mm	Pallet Qty.	Code
300	600	69220
450	400	69221
600	200	69222
900	200	69229
1200	150	69230



Developments



Telecoms



Highways



Rail



Power & Energy



Ports



Agriculture